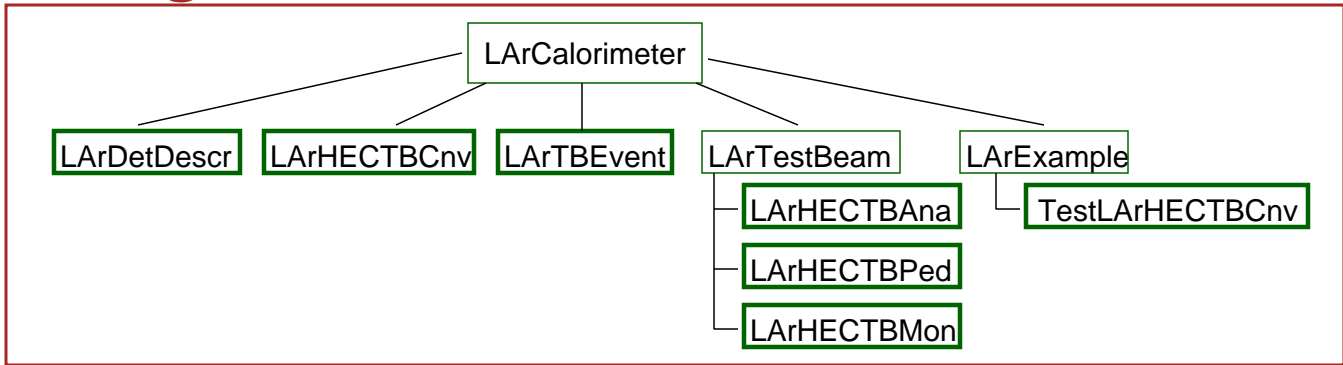


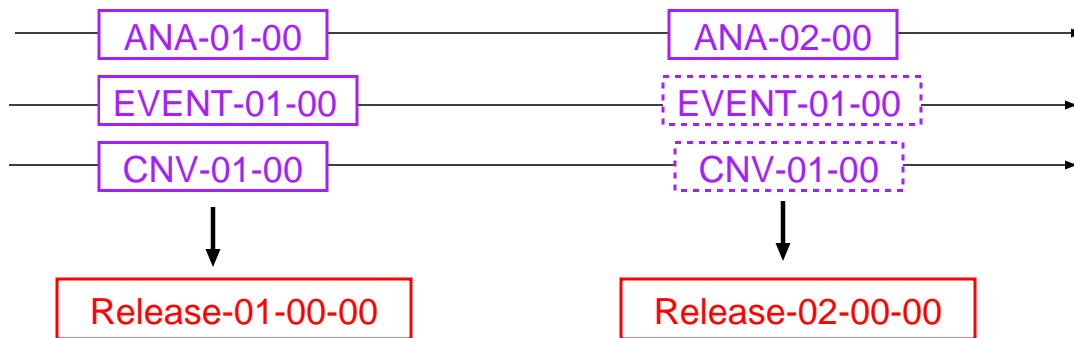
Code Development

● Packages



● Tag

Each manager "tag" on his/her package, and it is collected (by Naoko).



Manager

```
% cvs rtag ANA-02-00 LArCalorimeter/LArTestBeam/LArHECTBAna
```

commit new codes and require me to collect tag....

Kanaya

```
% cvs rtag -r ANA-02-00 Release-02-00-00 LArCalorimeter/LArTestBeam/LArHECTBAna
```

ask other managers if you want to update something, then collect all tags.
inform everybody...

User

```
% cvs co -r Release-01-00-00 LArCalorimeter
```

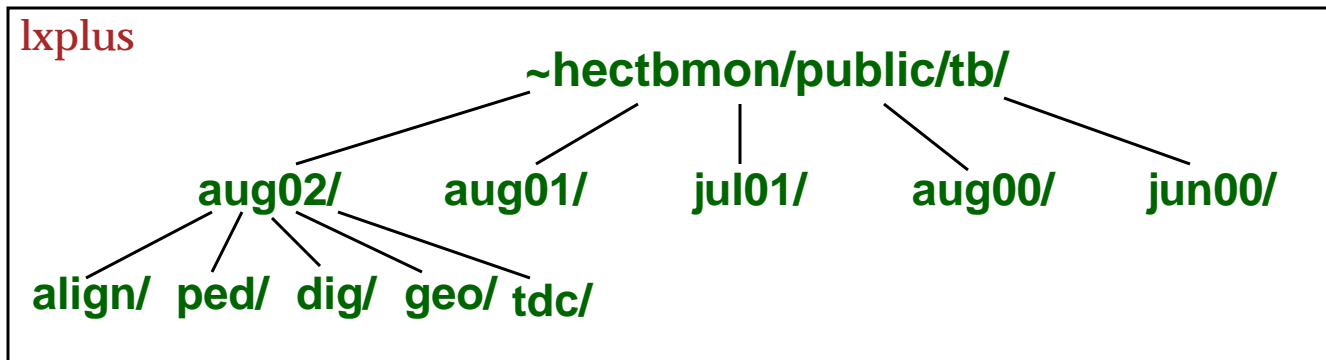
```
% cvs update -r Release-02-00-00 LArCalorimeter
```

● Managers

LArDetDescr	Naoko
LArHECTBAna	Michel, Sven
LArHECTBPed	Naoko
LArHECTBCnv	Naoko
TestLArHECTBCnv	Naoko
LArHECTBMon	Rob, Margret

Constant data

● Directory structure



● Permission (access control list)

- All files are read-only.
- All people(ZP) have read and lookup permission.
- Pavol, Sven and Naoko have write permission for tb directory.

Others?

● Backup

make a mirror on hpoput08.cern.ch

`~hectbmon/myCVSROOT`

`~hectbmon/public/tb`

Other machine?

Toward to 6.0.0 (Main Release)

- Use Atlas cvs repository (Prepare documentation "how to" when it's ready.
- Update Atlas repository for 5.1.0
- **Conditions DataBase**

Define event models and propose them to Hong and Abdel.

Pedestal

Calibration coefficients

Digital filtering weights parameters

At first, it's just database (not "conditions" database).

User have to specify the version number of constant data(except pedestal).